

# PS2-4000 C-SJ17-4

Solar Submersible Pump System for 6" wells

## System Overview

Head	max. 45 m
Flow rate	max. 26 m³/h

## Technical Data

### Controller PS2-4000

- Controlling and monitoring
- Control inputs for dry running protection, remote control etc.
- Protected against reverse polarity, overload and overtemperature
- Integrated MPPT (Maximum Power Point Tracking)
- Integrated Sun Sensor

Power	max. 4.0 kW
Input voltage	max. 375 V
Optimum Vmp**	> 238 V
Motor current	max. 14 A
Efficiency	max. 98 %
Ambient temp.	-40...50 °C
Enclosure class	IP68

### Motor ECDRIVE 4000-C

- Maintenance-free brushless DC motor
- Water filled
- Premium materials, stainless steel: AISI 304/316
- No electronics in the motor

Rated power	4.0 kW
Efficiency	max. 92 %
Motor speed	900...3,300 rpm
Insulation class	F
Enclosure class	IP68
Submersion	max. 150 m

### Pump End PE C-SJ17-4

- Non-return valve
  - Premium materials, stainless steel: AISI 304
  - Centrifugal pump
- |            |           |
|------------|-----------|
| Efficiency | max. 69 % |
|------------|-----------|



### Pump Unit PU4000 C-SJ17-4 (Motor, Pump End)

Borehole diameter	min. 6,0 in
Water temperature	max. 50 °C

## Standards



2006/42/EC, 2004/108/EC, 2006/95/EC

IEC/EN 61702:1995, IEC/EN 62253 Ed.1

The logos shown reflect the approvals that have been granted for this product family. Products are ordered and supplied with the approvals specific to the market requirements.

\*\*Vmp: MPP-voltage under Standard Test Conditions (STC): 1000 W/m² solar irradiance, 25 °C cell temperature

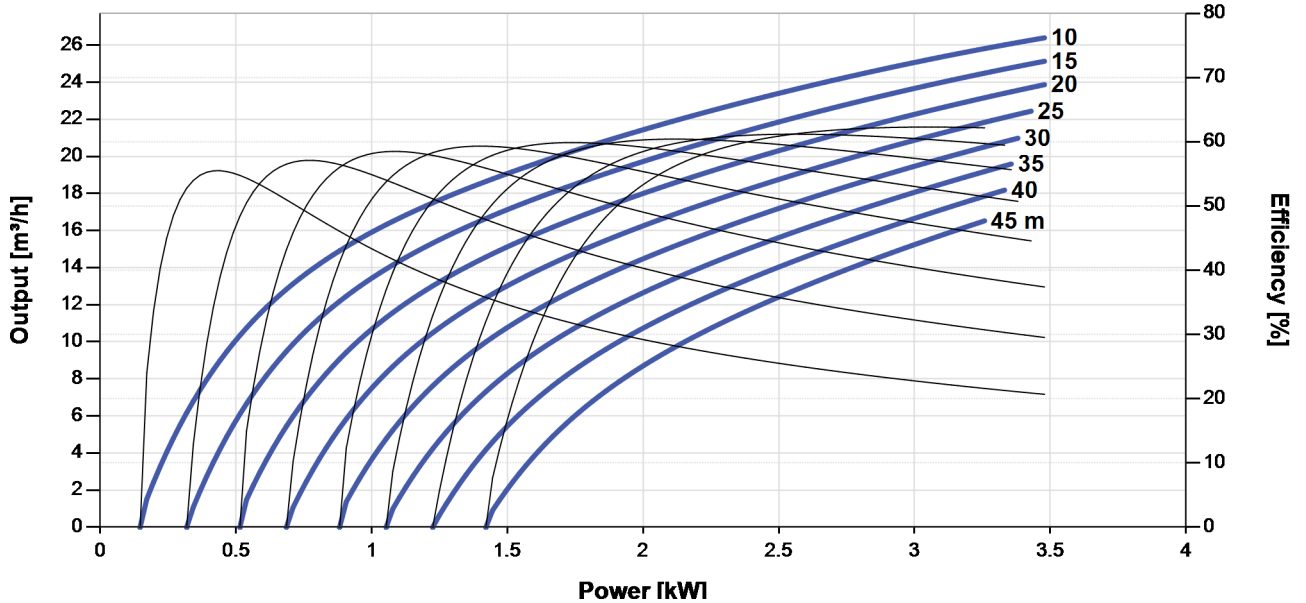


## PS2-4000 C-SJ17-4

Solar Submersible Pump System for 6" wells

### Pump Chart

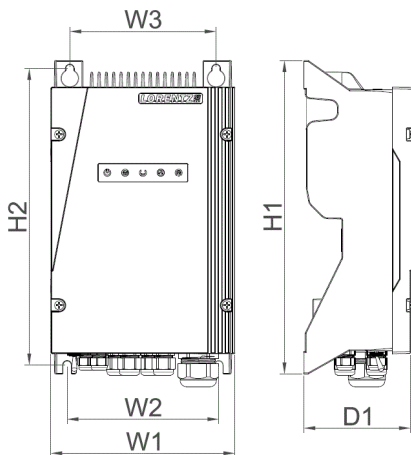
Vmp\* > 238 V



### Dimensions and Weights

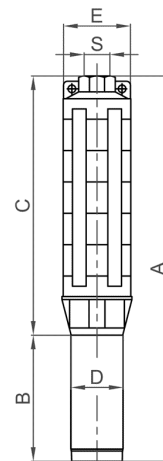
#### Controller

- H1 = 352 mm
- H2 = 333 mm
- W1 = 207 mm
- W2 = 170 mm
- W3 = 164 mm
- D1 = 124 mm



#### Pump Unit

- A = 754 mm
- B = 245 mm
- C = 509 mm
- D = 96 mm
- E = 133 mm
- S = 2.5 in



	Net weight
Controller	6.1 kg
Pump Unit	21 kg
Motor	10 kg
Pump End	11 kg

\*Vmp: MPP-voltage under Standard Test Conditions (STC): 1000 W/m² solar irradiance, 25 °C cell temperature

