



**LEARN MORE WITH
OUR HOW-TO VIDEOS**

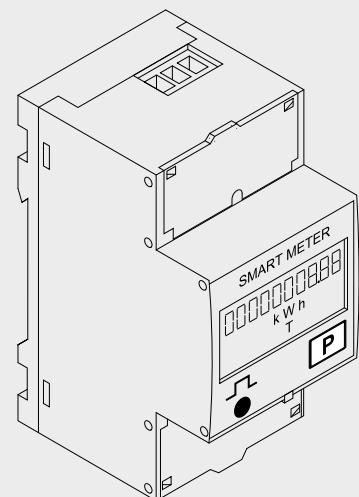
www.youtube.com/FroniusSolar

Fronius Smart Meter 63A-1

Operating Instructions

EN

System monitoring



Dear reader,

Introduction

Thank you for the trust you have placed in our company and congratulations on buying this high-quality Fronius product. These instructions will help you familiarise yourself with the product. Reading the instructions carefully will enable you to learn about the many different features it has to offer. This will allow you to make full use of its advantages.

Please also note the safety rules to ensure greater safety when using the product. Careful handling of the product will repay you with years of safe and reliable operation. These are essential prerequisites for excellent results.

Explanation of safety symbols



DANGER!

Indicates immediate and real danger.

If it is not avoided, death or serious injury will result.



WARNING!

Indicates a potentially dangerous situation.

Death or serious injury may result if appropriate precautions are not taken.



CAUTION!

Indicates a situation where damage or injury could occur.

If it is not avoided, minor injury and/or damage to property may result.

NOTE!

Indicates a risk of flawed results and possible damage to the equipment.

IMPORTANT!

Indicates tips for correct operation and other particularly useful information.

It does not indicate a potentially damaging or dangerous situation.

If you see any of the symbols depicted in the "Safety rules" chapter, special care is required.

Contents

Safety rules	7
General	7
Environmental conditions	7
Qualified service engineers	7
Copyright	8
Data protection	8
Warning notices on the device	8
Installation	9
Checklist for installation	9
Mounting	9
Protective circuit	9
Cabling	9
Selection criteria for current transformer	10
Connecting the data communication cable to the inverter	11
Terminating resistors	12
Multi-meter system	13
Setting the address of the Fronius Smart Meter	14
Configuring the web interface	15
Operation	16
Menu structure	16
Technical data	17
Technical data	17
Fronius manufacturer's warranty	18

Safety rules

General

The device is manufactured using state-of-the-art technology and according to recognised safety standards. If used incorrectly or misused, however, it can cause:

- injury or death to the operator or a third party
- damage to the device and other material assets belonging to the operator.

All persons involved in commissioning, maintaining and servicing the device must

- be suitably qualified,
- have knowledge of and experience in dealing with electrical installations and
- read and follow these Operating Instructions carefully.

The Operating Instructions must always be at hand wherever the device is being used. In addition to the Operating Instructions, attention must also be paid to any generally applicable and local regulations regarding accident prevention and environmental protection.

All safety and danger notices on the device:

- must be in a legible state,
- must not be damaged,
- must not be removed,
- must not be covered, pasted or painted over.

The terminals can reach high temperatures.

Only operate the device if all of its protection devices are fully functional. If the protection devices are not fully functional, there is a risk of

- injury or death to the operator or a third party
- damage to the device and other material assets belonging to the operator

Any safety devices that are not functioning properly must be repaired by a suitably qualified technician before the device is switched on.

Never bypass or disable protection devices.

For the location of the safety and danger notices on the device, refer to the "General" section in the Operating Instructions for the device.

Before switching on the device, remove any faults that could compromise safety.

This is for your personal safety!

Environmental conditions

Operation or storage of the device outside the prescribed area will be deemed as "not in accordance with the intended purpose". The manufacturer shall not be held liable for any damage arising from such usage.

Qualified service engineers

The servicing information contained in these Operating Instructions is intended only for the use of qualified service engineers. An electric shock can be fatal. Do not perform any actions other than those described in the documentation. This applies even if you are qualified to do so.

All cables and leads must be secured, undamaged, insulated and adequately dimensioned. Loose connections, scorched, damaged or inadequately dimensioned cables and leads must be immediately repaired by authorised personnel.

Maintenance and repair work must only be carried out by authorised personnel.

It is impossible to guarantee that bought-in parts are designed and manufactured to meet the demands made of them, or that they satisfy safety requirements. Use only original spare parts (also applies to standard parts).

Do not carry out any modifications, alterations, etc. to the device without the manufacturer's consent.

Components that are not in perfect condition must be replaced immediately.

Copyright

Copyright of these operating instructions remains with the manufacturer.

The text and illustrations are all technically correct at the time of printing. We reserve the right to make changes. The contents of the operating instructions shall not provide the basis for any claims whatsoever on the part of the purchaser. If you have any suggestions for improvement, or can point out any mistakes that you have found in the instructions, we will be most grateful for your comments.

Data protection

The user is responsible for the safekeeping of any changes made to the factory settings. The manufacturer accepts no liability for any deleted personal settings.

Warning notices on the device

Safety symbols



To avoid electric shocks:

- Do not dismantle or modify the device
- Do not allow any water to enter the device
- Do not allow any foreign substances or material to enter the device
- Do not touch any connections directly



RCM symbol – the product complies with Australian legislative requirements.

Installation

Checklist for installation

For information about installation, please refer to the following sections:

- 1 Switch off the power supply before establishing a mains connection
- 2 Mount the Fronius Smart Meter (see "**Mounting**" on page 9)
- 3 Connect automatic circuit breakers or automatic circuit breakers and disconnectors (see "**Protective circuit**" on page 9)
- 4 Connect the mains cable to the Fronius Smart Meter (see "**Cabling**" on page 9)
- 5 Connect the output terminals of the Fronius Smart Meter to the Fronius system monitoring ("**Connecting the data communication cable to the inverter**" on page 11)
- 6 If necessary, set terminating resistors (see "**Terminating resistors**" on page 12)
- 7 Tug on each wire and plug to make sure that they are securely connected to the terminal blocks.
- 8 Switch on the power supply to the Fronius Smart Meter
- 9 Check the firmware version of the Fronius system monitoring. To ensure compatibility between the inverter and the Fronius Smart Meter, the software must always be kept up to date. The update can be started via the inverter web page or using Solar.web.
- 10 If several Fronius Smart Meters are installed in the system, set the address (see "Setting the address" under "**Setting the address of the Fronius Smart Meter**" on page 14)
- 11 Set meter location via the Fronius system monitoring web interface under "Settings - Meter - Settings" (see "**Configuring the web interface**" on page 15)

Mounting

The Fronius Smart Meter can be mounted on a 35 mm DIN rail. The housing comprises 2 modules according to DIN 43880

Protective circuit

The Fronius Smart Meter is a hard-wired device and requires a disconnecting device (circuit breaker, switch or disconnector) and overcurrent protection (automatic circuit breaker).

The Fronius Smart Meter consumes just 10-30 mA, so that the nominal capacity of all switches, disconnectors, fuses and/or automatic circuit breakers is determined by the wire gauge, mains voltage and required breaking capacity.

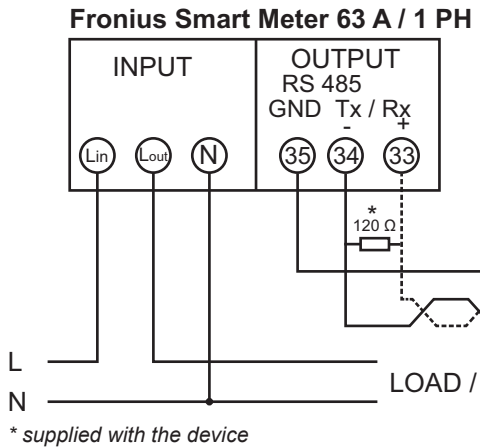
- Switches, disconnectors and circuit breakers must be within sight and located as close as possible to the Fronius Smart Meter; they must also be easy to use.
- Use automatic circuit breakers that are rated for max. 63 A.
- To monitor more than one mains voltage, use connected automatic circuit breakers.
- The automatic circuit breakers must protect the mains terminal, which is marked L1. In rare cases where the neutral conductor has overcurrent protection, the overcurrent protection device must interrupt both neutral and non-earthed cables concurrently.
- The circuit protection/disconnecting device must satisfy the requirements of IEC 60947-1 and IEC 60947-3, as well as all national and local regulations for electrical systems.

Cabling

- Always switch off the power supply before connecting the mains voltage inputs to the Fronius Smart Meter.

- Litz wires of the following gauge are recommended for use as mains voltage cables:
 - Screw terminals, measuring input
 - Wire (rigid): min. 1 mm² / max. 16 mm²
 - Wire (flexible): min. 1 mm² / max. 10 mm²
 - Recommended torque: 1.2 Nm / max. 1.4 Nm
 - Screw terminals, output
 - Wire (rigid): min. 0.05 mm² / max. 4 mm²
 - Wire (flexible): min. 0.05 mm² / max. 2.5 mm²
 - Recommended torque: 0.5 Nm / max. 0.8 Nm
- Do not install more than one cable per screw terminal. If necessary, use terminal blocks.

Connect each voltage cable to the terminal strip as shown in the graphics below.



Selection criteria for current transformer

General

Do not use current transformers with a voltage output (e.g. 333 mV). Current transformers are directional. If they are mounted backwards or with swapped wires, the measured power will be negative.

Primary current

Maximum current per phase. A current converter with a primary current greater than the maximum expected current per phase should be selected. The closer the expected current is to this value, the more precise the measurement will be.

Secondary current

The current transformer must supply alternating current at a nominal current of 1 or 5 A. The nominal values for the current transformer are listed in the current transformer data sheet.

Power

The Fronius Smart Meter needs 0.3 VA to carry out its measurements. Losses also occur on the outgoing and return leads. The power of the current converter must be greater than the sum total of the power of the Fronius Smart Meter and the leads. The higher the power, the better.

Line resistances at different cross-sections (copper wires)						
Secondary current [A]	Cross-section [mm ²]	Line resistances at different lead lengths (outgoing and return lead)				
		0.5 m	1.0 m	2.5 m	5 m	10 m
5	1.5	0.3 VA	0.6 VA	1.5 VA	2.9 VA	5.8 VA
5	2.5	0.2 VA	0.4 VA	0.9 VA	1.8 VA	3.6 VA
5	4	-	-	0.6 VA	1.1 VA	2.2 VA

Example: Outgoing and return lead between Fronius Smart Meter and current converter (together): $2 \times 0.5 \text{ m} = 1 \text{ m}$ length with a copper cable cross-section of $1.5 \text{ mm}^2 \rightarrow 1 \times 0.6 \text{ VA}$
 Fronius Smart Meter self-consumption = 0.3 VA
 Total = $0.6 \text{ VA} + 0.3 \text{ VA} = 0.9 \text{ VA}$
 A current converter with a rating of 1 VA , 1.5 VA , 5 VA or higher is suitable here.

Accuracy class

Use Class 1 or better (Class 0.5, 0.2, etc.). Class 1 is equivalent to a deviation of $\pm 1\%$ of the secondary current at maximum power.

Mounting

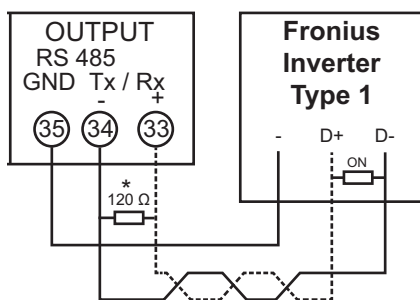
Rigid or hinged

"Rigid" is usually cheaper with better power and accuracy values. Hinged current transformers can be opened for attachment to the conductor. To prevent it being opened inadvertently, a nylon cable tie can be secured to the current transformer. Hinged current transformers can be installed in a system without interrupting the voltage

Connecting the data communication cable to the inverter

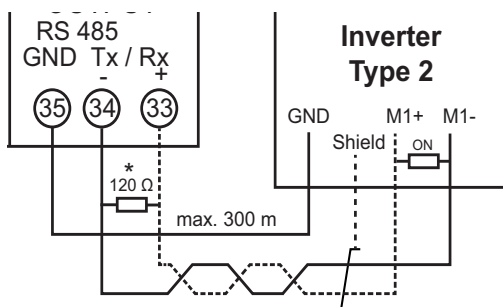
Type 1 Fronius inverters

- Connect the data communication connections of the Fronius Smart Meter to the Fronius system monitoring in the inverter
 - Connect D+ to 33 at the Smart Meter
 - Connect D- to 34 at the Smart Meter
 - Connect - to 35 at the Smart Meter
 - Several Smart Meters can be installed in the system, see chapter [Multi-meter system](#) on page 13



Type 2 Fronius inverters

- Connect the data communication connections of the Fronius Smart Meter to the Fronius system monitoring in the inverter
 - Connect M1+ to 33 on the Smart Meter
 - Connect M1- to 34 on the Smart Meter
 - Connect GND to 35 on the Smart Meter
 - Connect the cable shield to the shield connection
 - Several Smart Meters can be installed in the system, see chapter [Multi-meter system](#) on page 13

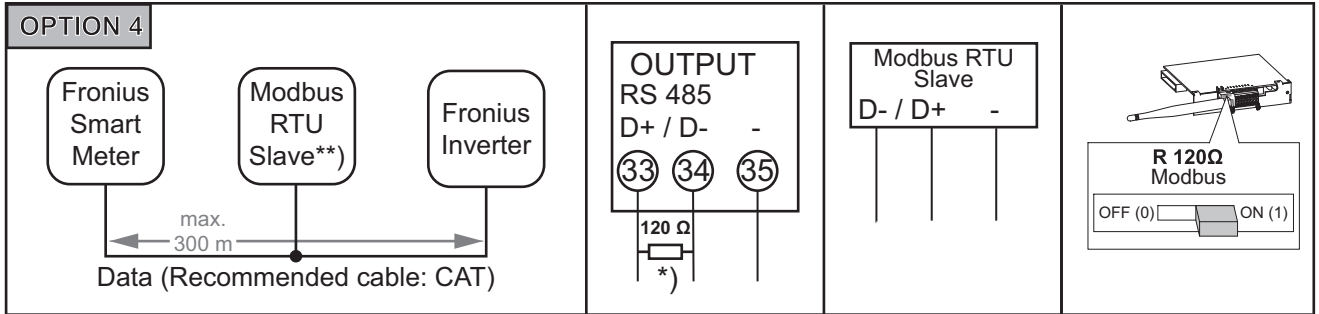
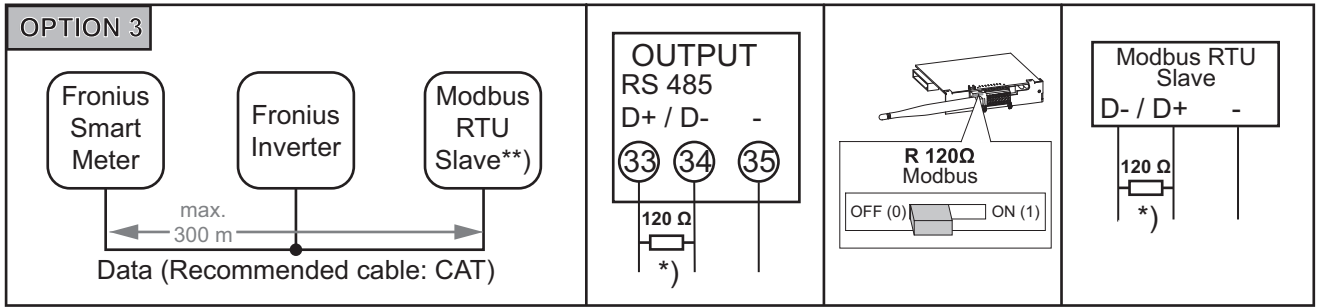
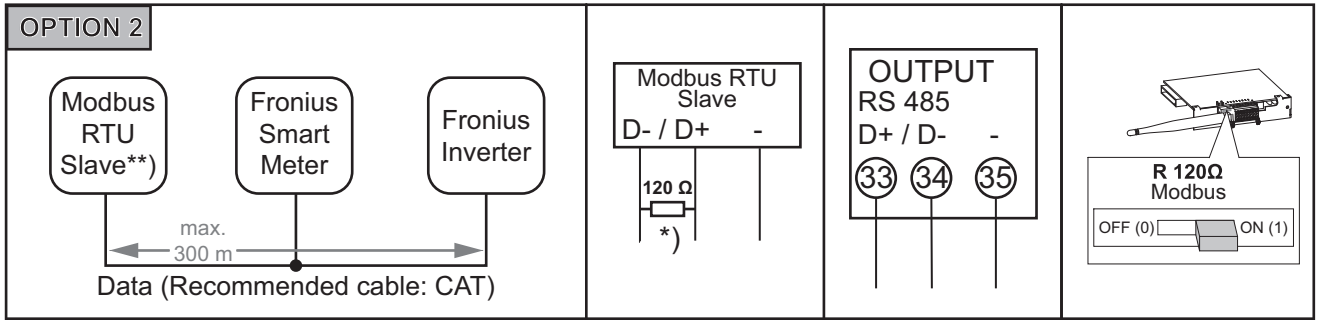
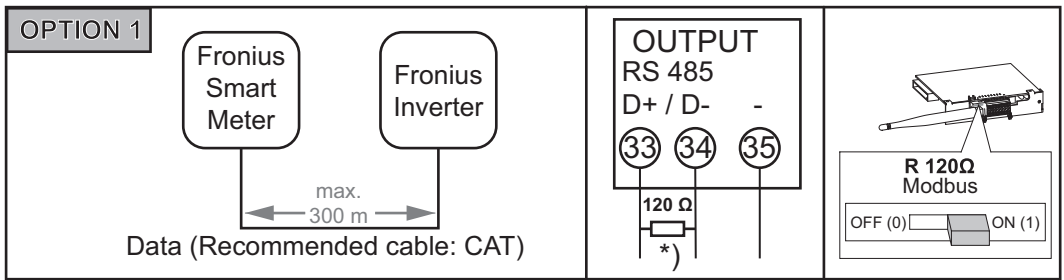


Type 1 and type 2 Fronius inverters

- The outputs of the Fronius Solar Meter are electrically isolated from hazardous voltages.
- If the output cables are close to the mains cabling, use wires or cables that are designed for 300 to 600 V (never less than the operating voltage).
- If the output cables are close to bare conductors, the cables must be double insulated or sheathed.
- Two wires can be installed in each screw terminal; the wires are twisted, inserted into the terminal and tightened. Note: A loose wire can disable an entire area of the network.
- Use a shielded twisted pair cable and connect the shield to the "shield" connection on the type 2 inverter to avoid interference.
- Cables of type CAT5 or higher may be used
- Use a mutual twisted cable pair for corresponding data lines (D+ and D- or M1+ and M1-)

Terminating resistors

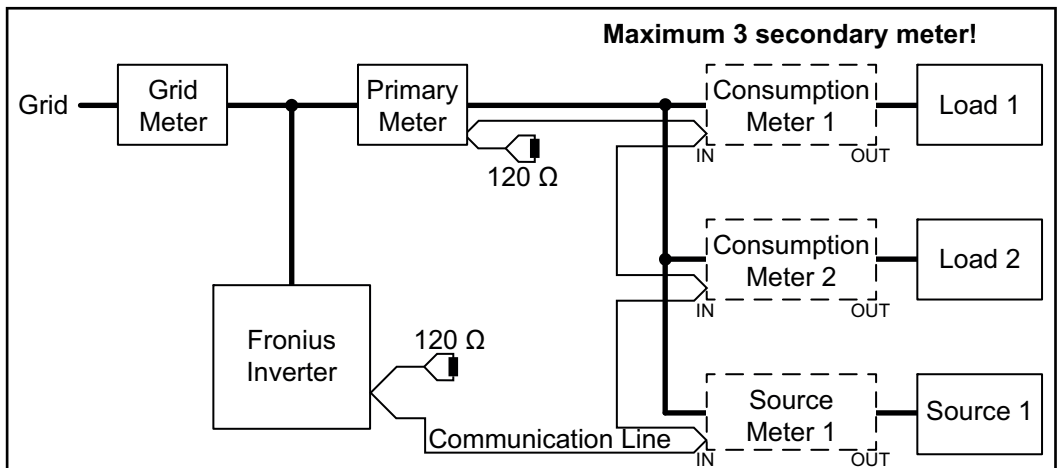
The system may work without terminating resistors. However, due to interference, it is recommended that terminating resistors are used as illustrated below to ensure proper functioning.



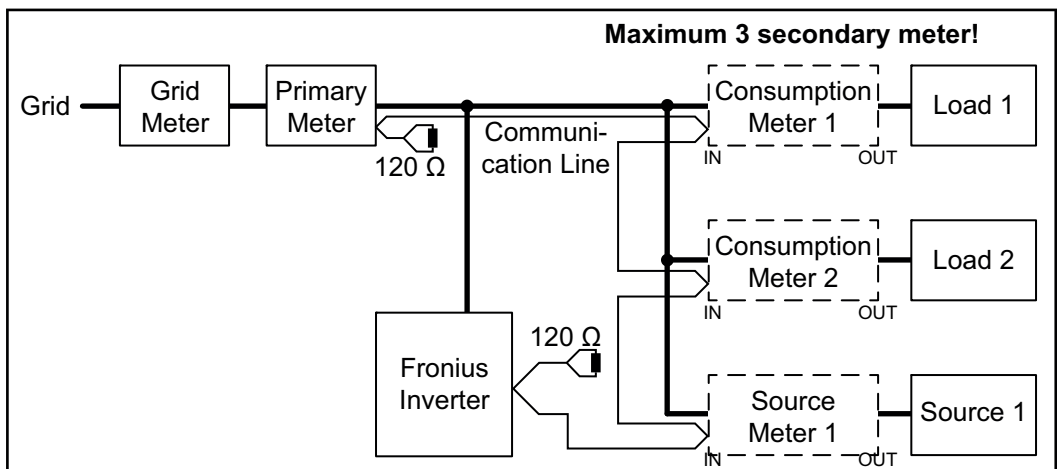
*) The R 120 Ohm terminating resistor is supplied with the Fronius Smart Meter
 **) e.g. Fronius Ohmpilot, Fronius Solar Battery, etc.

Multi-meter system

If several Fronius Smart Meters are installed in the system, a separate address must be set for each meter. The primary meter is always assigned address 1. All the other meters are numbered consecutively with the address range from 2 to 14. Different types of Fronius Smart Meters can be used in combination.



Location of the primary meter in the consumption branch



Location of the primary meter at the feed-in point

The following must be observed in a multi-meter system:

- Each Modbus address must only be assigned once
- Terminating resistors must be positioned individually for each channel
- The primary meter and the battery must be on different channels
- The remaining Modbus nodes must be distributed equally

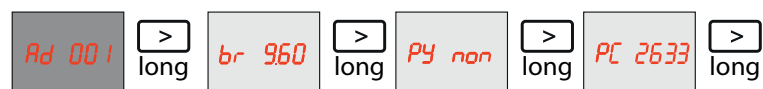
Setting the address of the Fronius Smart Meter

Set the address of the Fronius Smart Meter:

1 Enter the password "2633"



2 Select the Address menu item – do not change any other settings!



3 Set the relevant address

- Prog (pressed briefly) Increases the flashing value
- Prog (held down) Proceeds to the next menu item
- Permissible values: 1 ... 14



Configure Smart Meter in the web interface:

- 1 Open the web interface of the Fronius Datamanager and "Settings"
- 2 Select and add secondary meter
- 3 Enter designation and set Modbus address
- 4 Add meter description
- 5 Repeat the process for additional meters, if necessary

Configuring the web interface

- 1 Open the web interface of the Fronius Datamanager and "Settings"
- 2 Select the "Meter" menu
- 3 Click "Settings"
- 4 Set the location of the meter

Operation

Menu structure

A graphic view of the menu structure can be found in the User Information that is supplied as standard.

Technical data

Technical data

Modbus transmission speed: 9600 baud
Parity bit: None
Software version: Datamanager 3.7.2 / Energypackage 1.3.3

Input	
Nominal voltage (1-phase)	230 V
Operating range	±10%
Self-consumption - voltage path (max. voltage)	4 VA (1.9 W) for 264 V
Nominal frequency	50 - 60 Hz
Tolerance	47 to 61 Hz
Nominal current, I _b	10 A
Maximum current, I _{max}	63 A
Starting current	40 mA
Short-time overload (EN/IEC 62053-21, EN/IEC 62053-23)	30 I _{max} / 0.5 s
Self-consumption - current path (max. current)	1.5 W
Power factor	cosφ 0.5 ind to 0.8 cap
Operating range (EN/IEC 62053-21, EN/IEC 62053-23)	
Current distortion factor	In acc. with EN 62053-21

Output	
Pulse output	
Optical relay with NO contact SPST-NO, floating	
Contact load	110 V DC/AC - 50 mA
Pulse value (programmable)	1 imp/Wh - 10 Wh - 100 Wh - 1 kWh
Pulse duration (programmable)	50 - 100 - 150 - 200 - 300 - 400 - 500 ms
RS485 communication	
Electrically isolated from measuring input	
Standard	RS485 - 3 conductors
Transmission	Serial, asynchronous
Protocol	Compatible with Modbus RTU
Addresses	1 to 255
Number of bits	8
Stop bit	1
Parity bit	None - odd - even
Baud rate	2400 - 4800 - 9600 - 19200 bit/s
Response time	≤ 200 ms

Insulation (EN/IEC 62052-11, 62053-21)	
Installation category	III
Pollution level	2
Insulation voltage	300 V

Electromagnetic compatibility	
Emission test	In acc. with EN/IEC 62052-11, EN 50470
Immunity test	In acc. with EN/IEC 62052-11, EN 50470

Operating conditions	
Reference temperature	23°C (±2°C)
Operating range	-25 to 55°C
Temperature limit for storage and transport	-40 to 70°C
Tropical model	
Max. power loss (for thermal dimensioning of the switch cabinet)	≤ 4 W
Mechanical environment	M1
Electromechanical environment	E2

Housing	
Housing	2 modules according to DIN 43880
Sealable front and terminal cover	
Connection	Screw connection
Mounting	Can be snapped onto 35 mm DIN rail
Housing material	Polycarbonate, self-extinguishing
Degree of protection (EN 60529)	IP51 front, IP20 connections
Weight	250 grams

Screw terminals	
Measuring input	
Wire (rigid)	Min. 1 mm ² / max. 16 mm ²
Wire (flexible)	Min. 1 mm ² / max. 10 mm ²
Recommended torque	1.2 Nm / max. 1.4 Nm
Output	
Wire (rigid)	Min. 0.05 mm ² / max. 4 mm ²
Wire (flexible)	Min. 0.05 mm ² / max. 2.5 mm ²
Recommended torque	0.5 Nm / max. 0.8 Nm

Fronius manufacturer's warranty

Detailed, country-specific warranty terms are available on the internet: www.fronius.com/solar/warranty

To obtain the full warranty period for your newly installed Fronius inverter or storage system, please register at: www.solarweb.com.

Fronius Worldwide - www.fronius.com/addresses

Fronius International GmbH
4600 Wels, Froniusplatz 1, Austria
E-Mail: pv-sales@fronius.com
www.fronius.com

Fronius USA LLC Solar Electronics Division
6797 Fronius Drive, Portage, IN 46368
E-Mail: pv-us@fronius.com
www.fronius-usa.com

Under www.fronius.com/addresses you will find all addresses of our sales branches and partner firms!