

REVISIONS		
REV	DESCRIPTION	DATE

MATERIAL

FINISH

DRAWING INTERPRETATIONS	
PROJECTIONS 	DIMENSIONS INCHES MILLIMETERS

UNSPECIFIED TOLERANCES
DECIMALS ±.020 (±.510 mm); ANGULAR ±1°

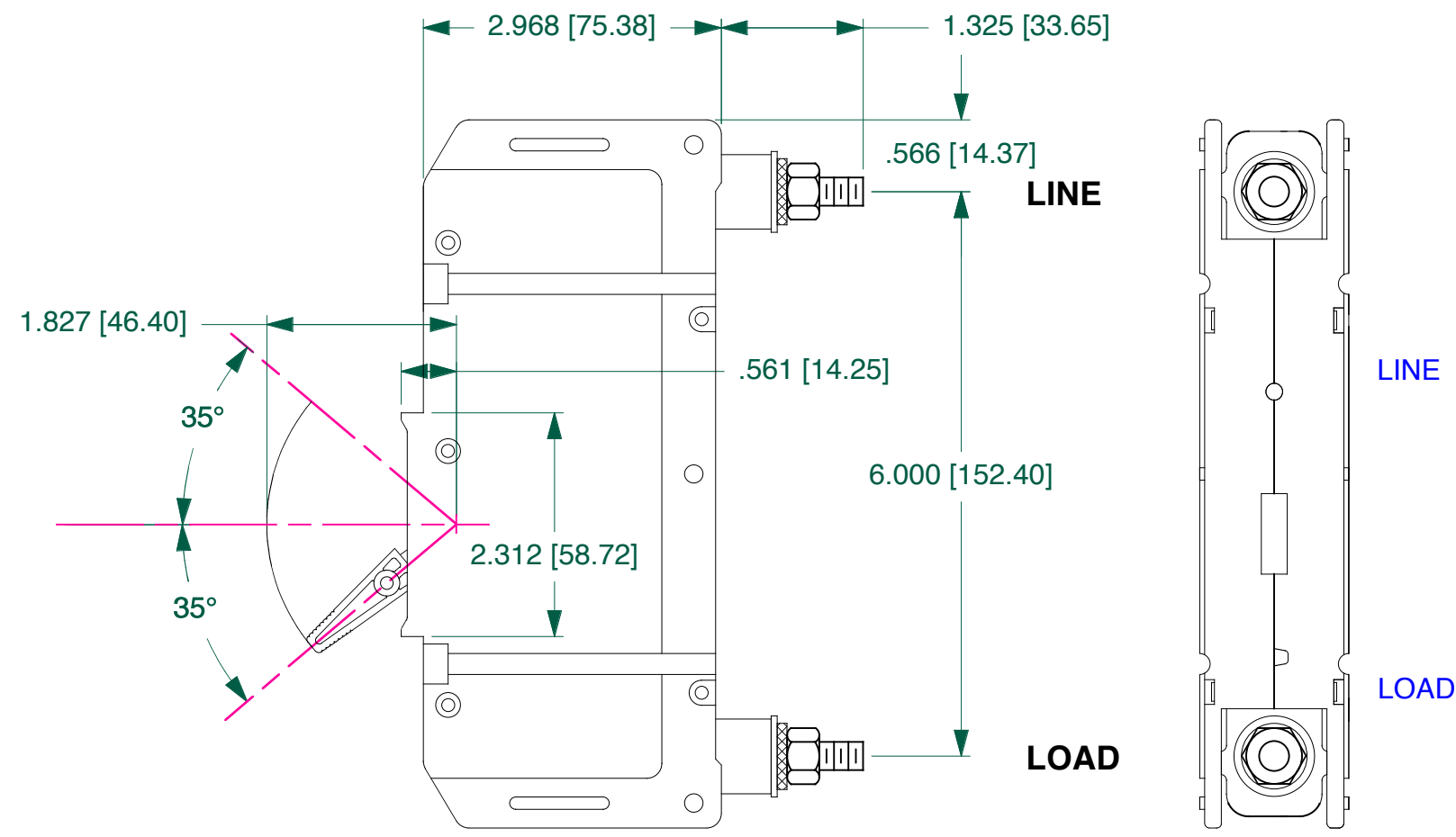
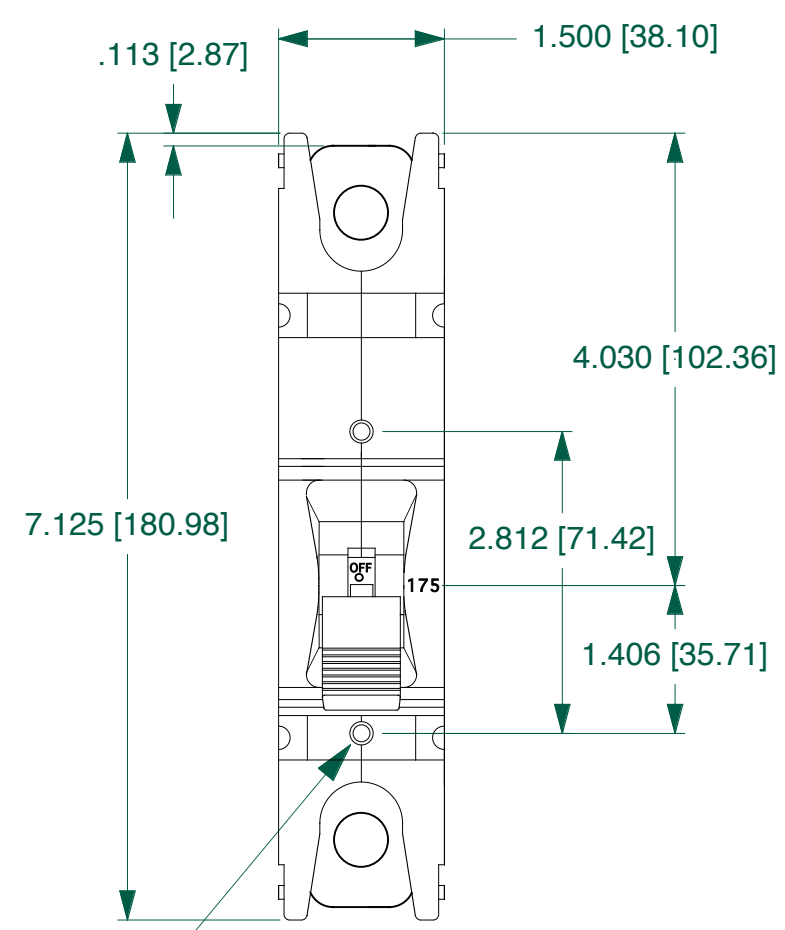
DRAWN BY: MM 9-18-12	CHECKED BY:	SCALE
APPROVED BY:	DATE APPROVED	

DO NOT SCALE DRAWING

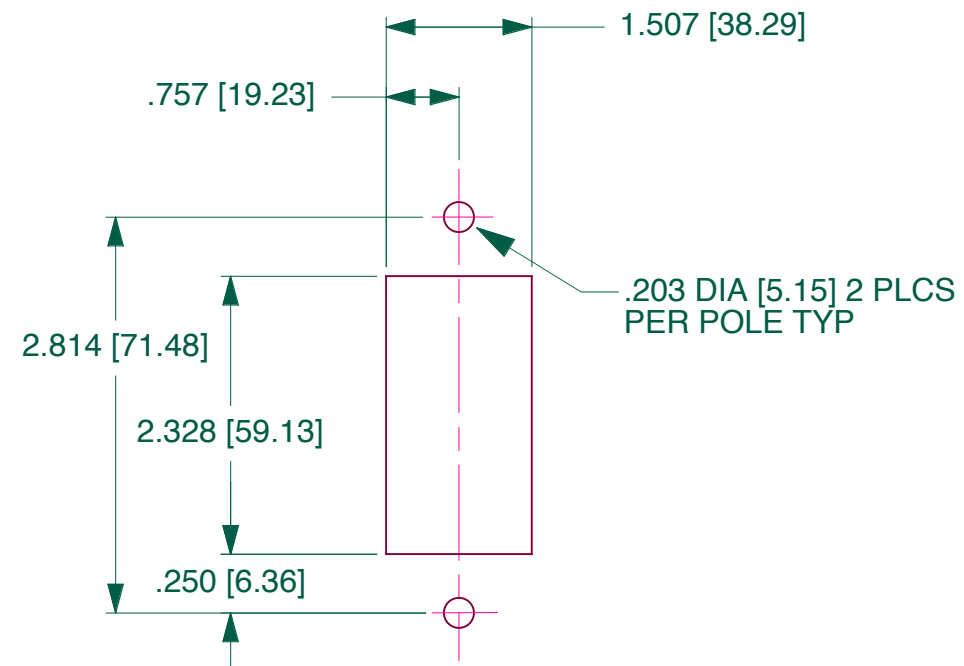
TITLE
"F" SERIES
CIRCUIT BREAKER

CARLINGSWITCH, INC.
CIRCUIT BREAKER DIVISION
PLAINVILLE, CT

SIZE B	DRAWING NO. FA1-B0-14-917-12A-BG	REV
SHEET OF		SHEET 1 OF 1



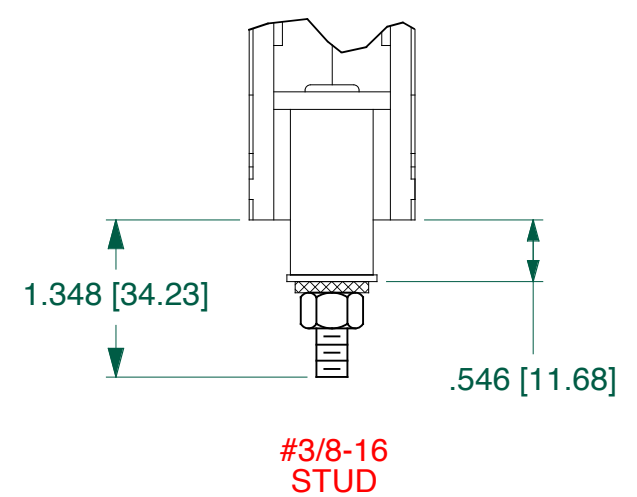
10-32 THREAD X .300 [7.60] DEEP
(2 PLCS) / POLE



PANEL CUTOUT DETAIL

LABEL INFORMATION:

FL. AMPS 175
MAX VOLTS 125
HERTZ DC
DELAY 14 (MED)
CIRCUIT: B0 (SERIES)
TRIP AMPS 218.75
SPECIAL PURPOSE NOT FOR GENERAL USE



CONTROL SYMBOLS	
	CRITICAL
	MAJOR

TOOL NO.	REV
REFERENCE NO.	
SHEET OF	

REVISIONS		
REV	DESCRIPTION	DATE

MATERIAL

FINISH

DRAWING INTERPRETATIONS	
PROJECTIONS 	DIMENSIONS INCHES MILLIMETERS

UNSPECIFIED TOLERANCES
DECIMALS ±.020 (±.510 mm); ANGULAR ±1°

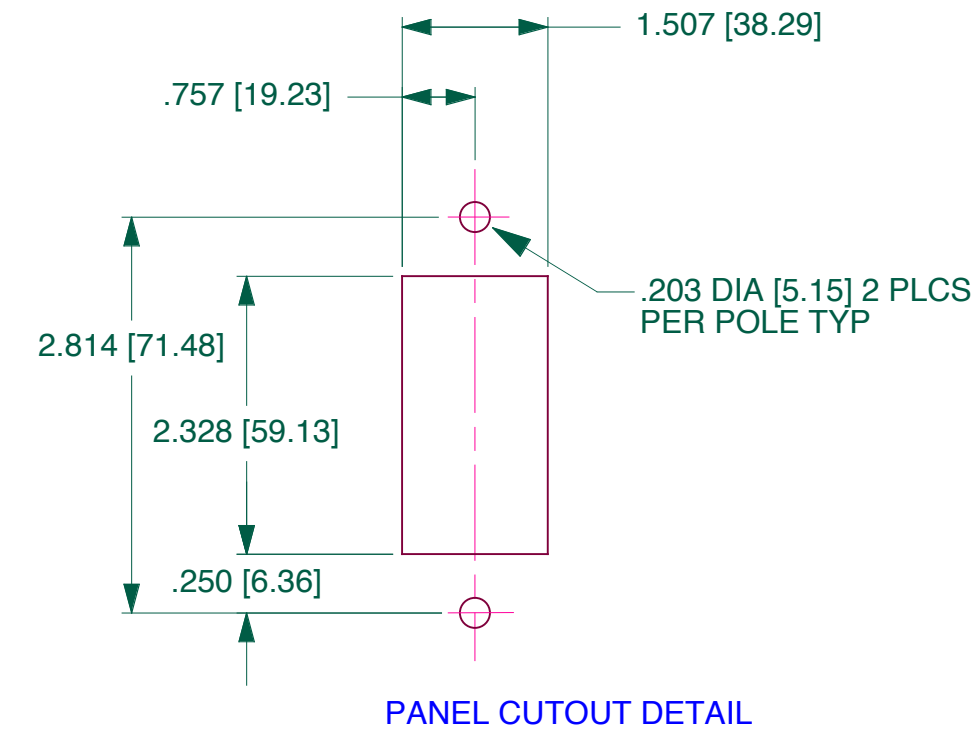
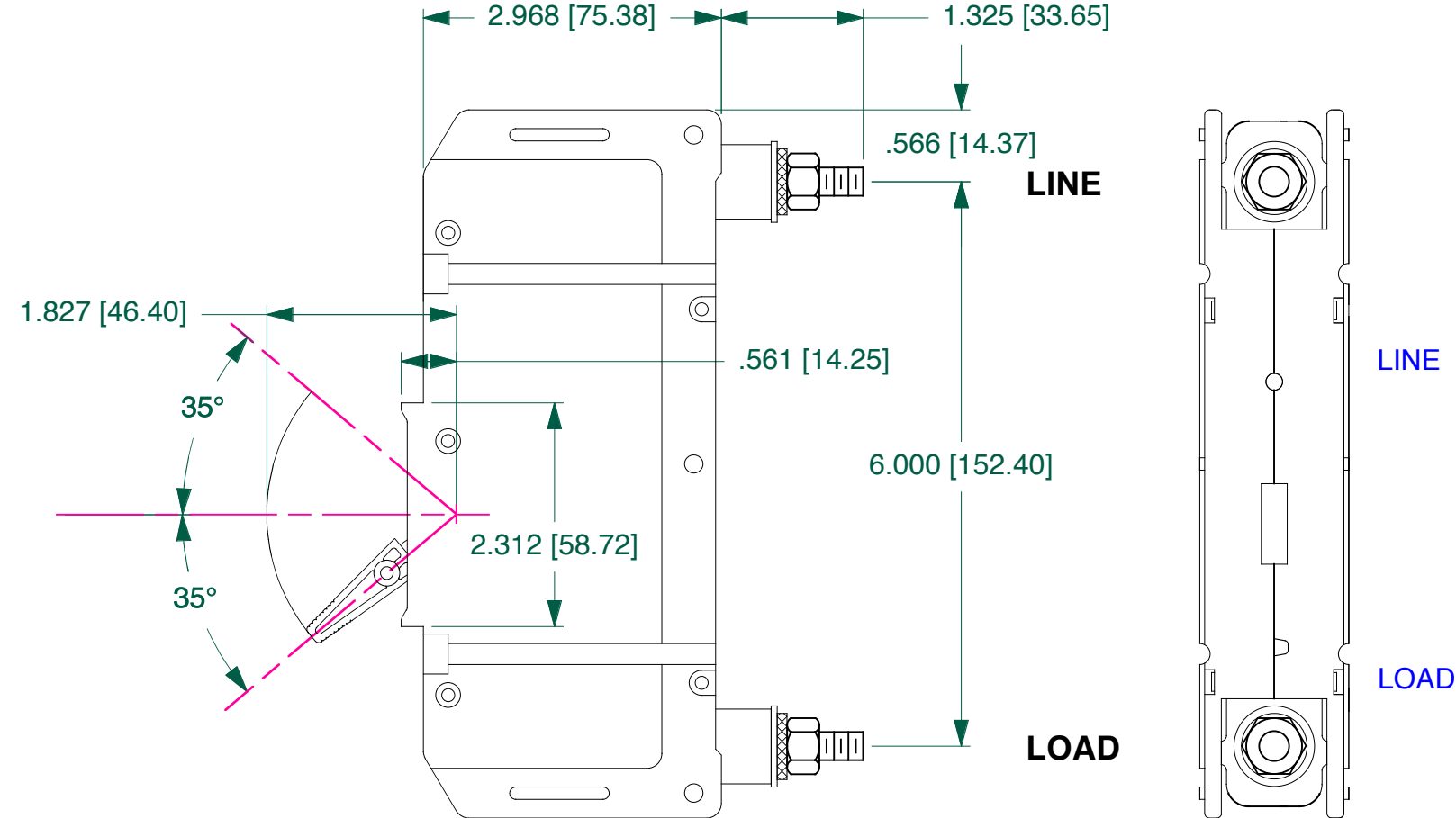
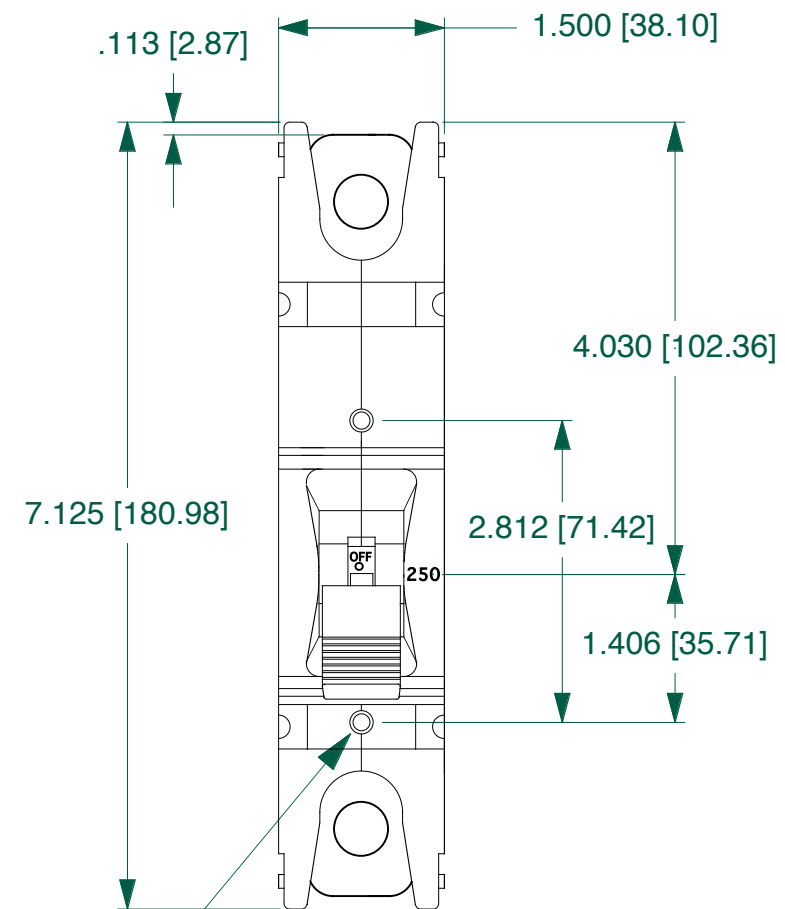
DRAWN BY: MM 4-18-13	CHECKED BY:	SCALE
APPROVED BY:	DATE APPROVED	

DO NOT SCALE DRAWING

TITLE
"F" SERIES
CIRCUIT BREAKER

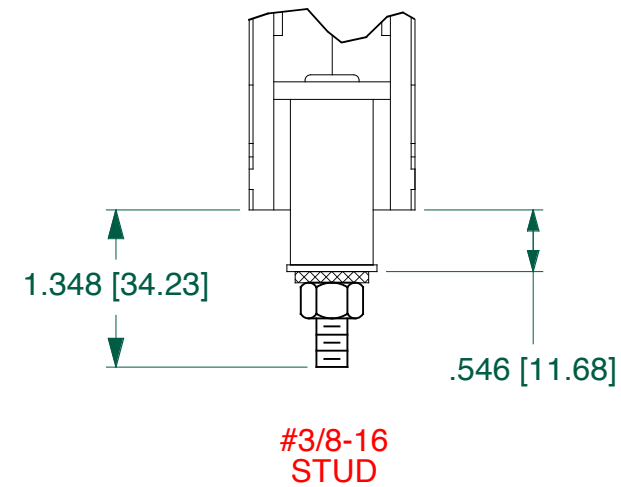
CARLINGSWITCH, INC.
CIRCUIT BREAKER DIVISION
PLAINVILLE, CT

SIZE B	DRAWING NO. FA1-B0-16-825-12A-BG	REV 01
SHEET OF		SHEET 1 OF 1



LABEL INFORMATION:

FL. AMPS 250
 MAX VOLTS 125
 HERTZ DC
 DELAY 16 (LONG)
 CIRCUIT: B0 (SERIES)
 TRIP AMPS 313
 SPECIAL PURPOSE NOT FOR GENERAL USE



CONTROL SYMBOLS	
	CRITICAL
	MAJOR

TOOL NO.	REV
REFERENCE NO.	
SHEET OF	