

# PS2-1800 HR-23

## Solar Submersible Pump System for 4" wells

### System Overview

Head	max. 80 m
Flow rate	max. 3.9 m <sup>3</sup> /h

### Technical Data

#### Controller PS2-1800

- Controlling and monitoring
- Control inputs for dry running protection, remote control etc.
- Protected against reverse polarity, overload and overtemperature
- Integrated MPPT (Maximum Power Point Tracking)
- Battery operation: Integrated low voltage disconnect
- Integrated Sun Sensor

Power	max. 1.8 kW
Input voltage	max. 200 V
Optimum V <sub>mp</sub> **	> 102 V
Motor current	max. 14 A
Efficiency	max. 98 %
Ambient temp.	-40...50 °C
Enclosure class	IP68

#### Motor ECDRIVE 1200-HR / ECDRIVE 1800-HR

- Maintenance-free brushless DC motor
- Water filled
- Premium materials, stainless steel: AISI 304/316
- No electronics in the motor

Rated power	1.7 kW
Efficiency	max. 92 %
Motor speed	900...3,300 rpm
Insulation class	F
Enclosure class	IP68
Submersion	max. 150 m

#### Pump End PE HR-23\*\*\*

- Non-return valve
- Premium materials, stainless steel: AISI 304/316
- Helical rotor pump

Efficiency	max. 67 %
------------	-----------



#### Pump Unit PU1800 HR-23 (Motor, Pump End)

Borehole diameter	min. 4,0 in
Water temperature	max. 50 °C

### Standards



2006/42/EC, 2004/108/EC, 2006/95/EC

IEC/EN 61702:1995, IEC/EN 62253 Ed.1

The logos shown reflect the approvals that have been granted for this product family. Products are ordered and supplied with the approvals specific to the market requirements.

\*\*V<sub>mp</sub>: MPP-voltage under Standard Test Conditions (STC): 1000 W/m<sup>2</sup> solar irradiance, 25 °C cell temperature

\*\*\*Specify temperature range on order

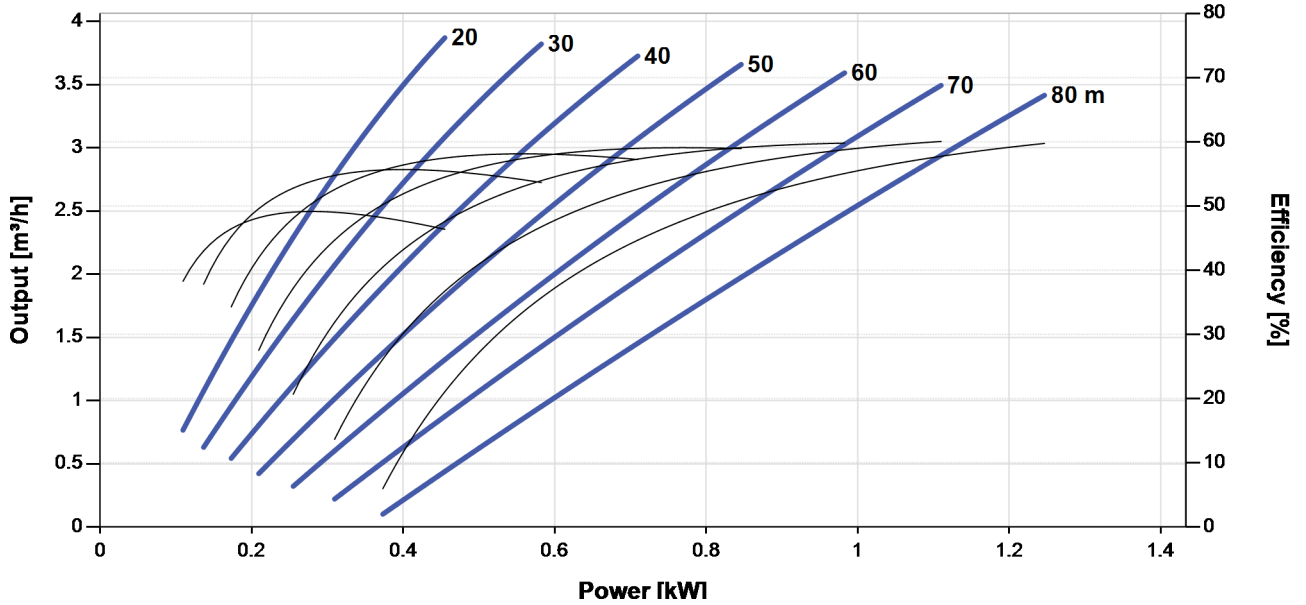


## PS2-1800 HR-23

Solar Submersible Pump System for 4" wells

### Pump Chart

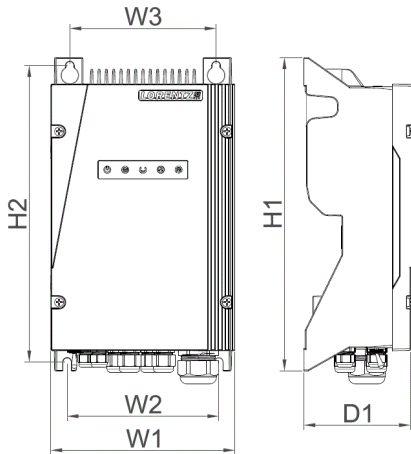
Vmp\* > 102 V



### Dimensions and Weights

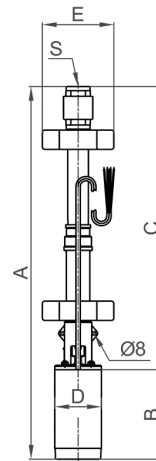
#### Controller

- H1 = 352 mm
- H2 = 333 mm
- W1 = 207 mm
- W2 = 170 mm
- W3 = 164 mm
- D1 = 124 mm



#### Pump Unit\*\*

- A = 871 mm
- B = 185 mm
- C = 686 mm
- D = 96 mm
- E = 147 mm
- S = 1.25 in



	Net weight
Controller	6.0 kg
Pump Unit	12 kg
Motor	7.0 kg
Pump End	4.5 kg

\*Vmp: MPP-voltage under Standard Test Conditions (STC): 1000 W/m² solar irradiance, 25 °C cell temperature

\*\*By cutting the rubber spacers the diameter can be adjusted between 6" and 4" wells.

