

MIDNITE SOLAR INC.

# Surge Protection

## Surge Protection You Can Count On!

MidNite Solar Surge Protection Devices are type 1 devices, designed for indoor and outdoor applications. Engineered for both AC and PV DC electrical systems, they provide protection to service panels, load centers or electronic devices that are directly connected to a MidNite Surge Protection Device (SPD).

MidNite's SPDs are offered in four models to protect a variety of different voltage ranges. They achieve this protection by clamping surge voltage to a level that your system can sustain without damaging the components of the system.

Compare our SPDs against other surge protection devices. You will see there is no comparison in both our price and features. All our SPDs are made in the USA and have a 5 year warranty.

*With lightning you only get one chance, so get the best!*



[www.midnitesolar.com/spd](http://www.midnitesolar.com/spd)

17722 67th Ave. NE., Arlington, WA. 360-403-7207 FAX: 360-691-6862



**MNSPD300ACFM (Cut-in box)**  
(MNSPD-300-AC included)



**Four Models:**

**MNSPD-115**

**MNSPD-300-AC**

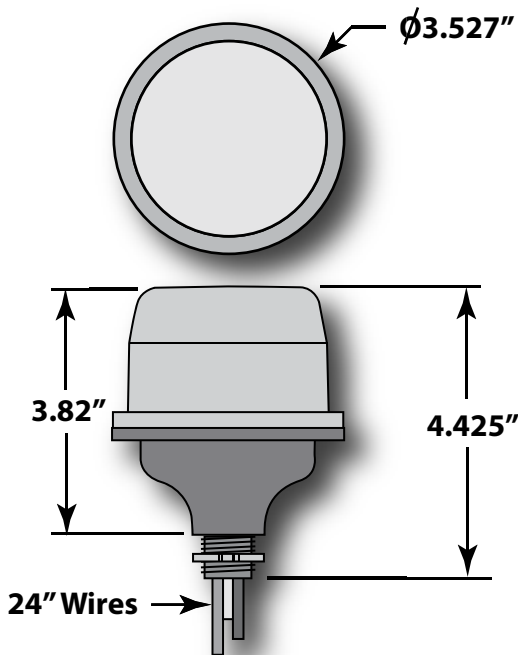
**MNSPD-300-DC**

**MNSPD-600**



# MidNite Surge Protection Devices

PART NUMBER	MNSPD-115	MNSPD-300-AC	MNSPD-300-DC	MNSPD-600
Nominal Voltage	0 to 90 VAC 0 to 115 VDC	0 to 250 VAC	0 to 300 VDC	0 to 480 VAC 0 to 600 VDC
MCOV	180V	470V	470V	780V
VPR Line to Ground	600V	1200V	1200V	1800V
Suggested Placement	Up to 90VAC circuits, 12V, 24V, 48VDC battery circuits	120/240 VAC circuits	Off-grid PV combiners Charge controller inputs up to 300VDC	316V/480 VAC circuits Grid-tie PV combiners Grid-tie inverter input Non-Isolated Inverters
Type	UL1449 4th Ed. Type 1	UL1449 4th Ed. Type 1	UL1449 4th Ed. Type 1	UL1449 4th Ed. Type 1
Diagnostic Blue LED	MNSPD-300-AC LED indicates when voltage is present between L1 + ground and L2 + ground MNSPD-115, MNSPD-300-DC and MNSPD-600: LED indicates when voltage is present between L1 + L2 (PV+ PV-)			
Thermal Disconnect	Internal Fuse			
Response Time	<1 micro sec.			



### Performance

Surge Current Rating per Phase	80kA
Short Circuit Current Rating	10kA

Fusing	Individually fused MOVs
Thermal Fusing	Yes
Over current Fusing	Yes
Operating Frequency	0 to 500 Hz

### Mechanical Description

Enclosure	Polycarbonate UL94V-0
Environmental Rating	Type 4X
Connection Method	#12 AWG
Weight	1 lb.
Mounting Method	1/2" Conduit Knockout
Operating Altitude	Sea Level – 12,000' (3,658 Meters)
Storage Temp	-40° F to +185° F (-40° C to +85° C)
Operating Temp	-40° F to +185° F (-40° C to +85° C)

### Diagnostics

Blue status LED, one per leg

### Listings and Performance

UL Standard for Safety, UL 1449 Surge Protective Devices-Fourth Edition  
CSA C22.2 No. 8-M1986 Electromagnetic Interference (EMI) Filters, Fourth Edition

Model No.	Max Operating Voltage	Surge Current per Phase	Configuration	MCOV	SCCR	VPR 600V/3kA L G
MNSPD-115	100 VAC/150VDC	80kA	1 Ø, 3-wire (2 Legs)	180V L-N	10kA	600V
MNSPD-300-AC	300VAC	80kA	1 Ø, 3-wire (2 Legs)	470V L-N	10kA	1200V
MNSPD-300-DC	385VDC	80kA	1 Ø, 3-wire (2 Legs)	470V L-N	10kA	1200V
MNSPD-600	480VAC/600VDC	80kA	1 Ø, 3-wire (2 Legs)	780V L-N	10kA	1800V

[www.midnitesolar.com/spd](http://www.midnitesolar.com/spd)

17722 - 67th Ave NE, Arlington, WA 98223 PH. 360-403-7207 FAX 360-691-6862